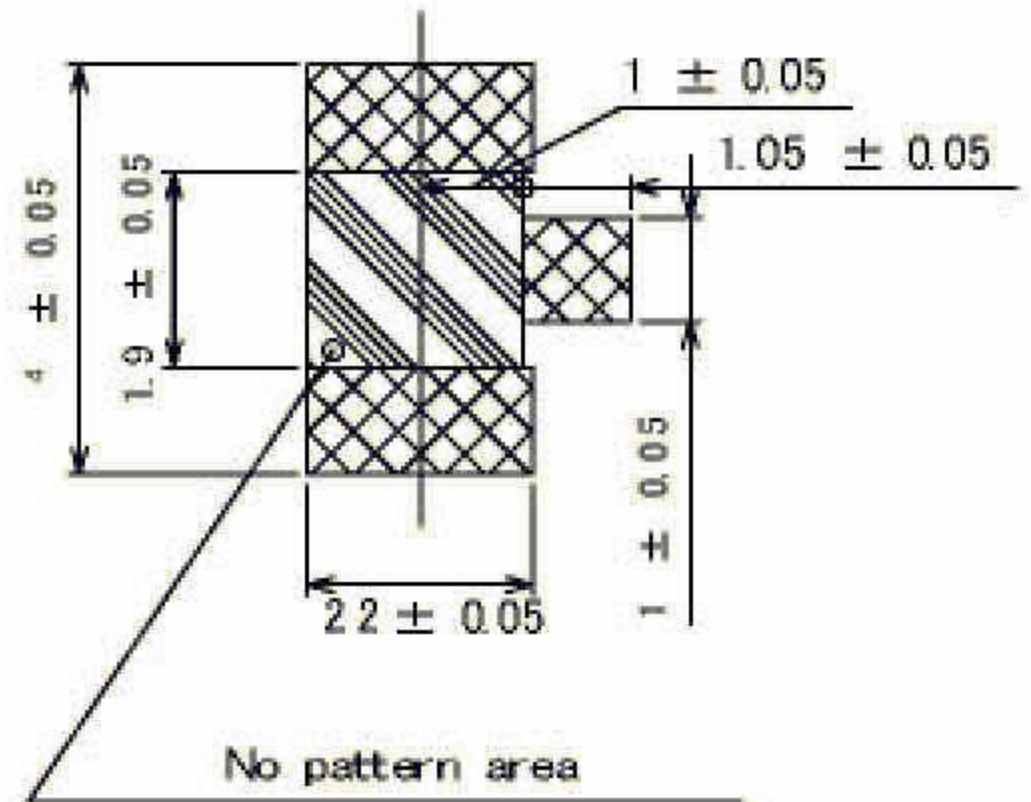
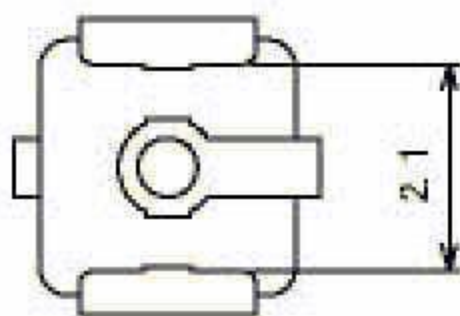
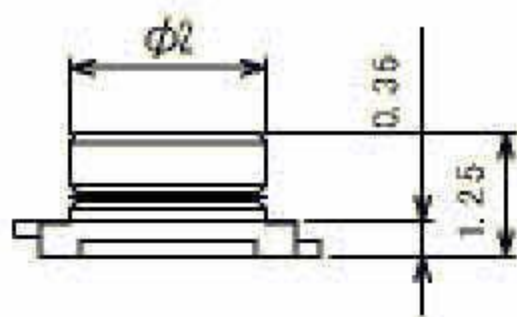
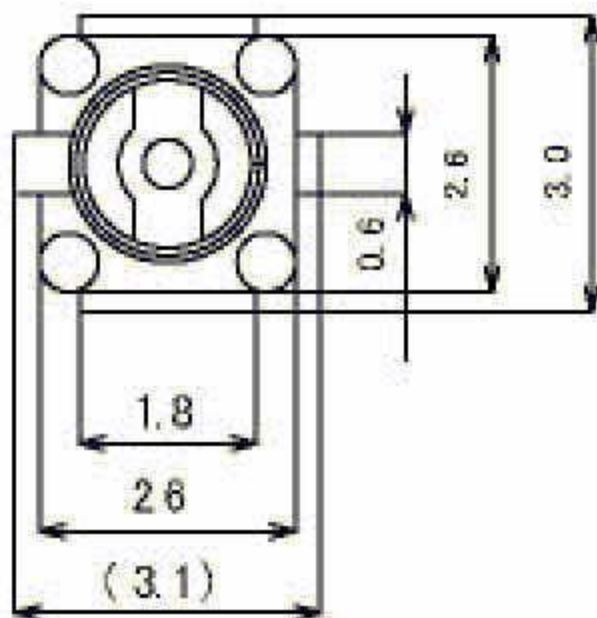


## ◆ RECEPTACLE

Ground contact : gold plating

E: Emboss package  
2500pcs/1reel



PCB layout

### <Material>

|                | Material        | Contact Finish | UL      |
|----------------|-----------------|----------------|---------|
| Insulator      | LCP             | White          | UL94V-0 |
| Contact        | Brass           | Gold plating   | —       |
| Ground Contact | Phosphor Bronze | Gold plating   | —       |